

LINKEO



ENCLOSURES TO FIT YOUR SCS
INSTALLATIONS AND BUDGET

EDITION
2017

GLOBAL SPECIALIST IN ELECTRICAL AND DIGITAL
BUILDING INFRASTRUCTURES

 **legrand**[®]

19" Freestanding cabinets

LINKEO

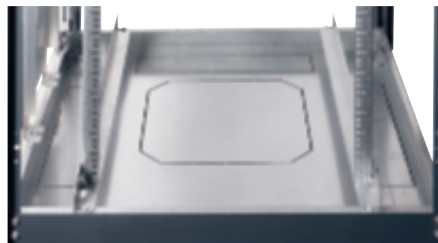
A complete solution
for commercial
sector requirements

The LINKEO 19" enclosures have been designed to be easy to install and totally functional. With the wide range of accessories that can be used with LINKEO enclosures, you have the benefit of a complete offer to meet the requirements of all your projects.

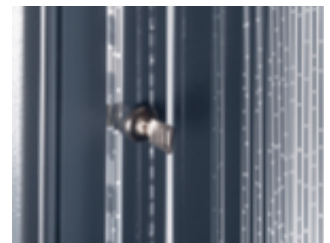




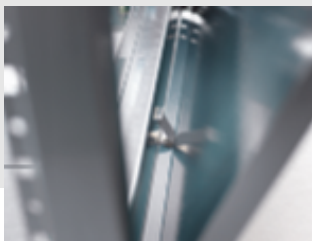
1 19" uprights with U marking and adjustable in depth



2 Pre-cut top and bottom cable entries
Cut-out on the roof for fan kits



3 Full glass door (reversible) with screen printing for perfect aesthetics



4 Removable side and rear panels with automatic grounding



5 Vertical cable guide (side and rear mount) and PDU support as option



- Equipped with levelling feet
- Can be linked using baying kit
- 2 delivery options :
mounted or flatpack

Linkeo 19" freestanding cabinets

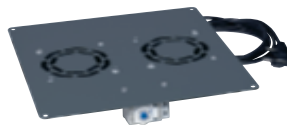
cabinets and equipment



6 467 64



6 464 03



6 464 30

Technical characteristics p. 10

Pack	Cat.Nos	Linkeo 19" cabinets																																																																												
		<p>IP 20 – IK 08 baying cabinets Reversible front glass door with screen printing Removable side and rear panels Panels with automatic equipotential connection 4 sides locked with key lock Equipped with 2 x 19" uprights with U marking and adjustable in depth Pre-cut cable entries (top and bottom) To be fitted with brush cable entry Cat.No 6 464 28 Cut-out at the top for fan kit Equipped with levelling feet Loading capacity: 400 kg Anthracite grey RAL 7016</p> <p>Single front glass door</p> <table border="1"> <thead> <tr> <th>Capacity</th> <th>Height (mm)</th> <th>Width (mm)</th> <th>Depth (mm)</th> </tr> </thead> <tbody> <tr><td>24 U</td><td>1226</td><td>600</td><td>600</td></tr> <tr><td>24 U</td><td>1226</td><td>800</td><td>800</td></tr> <tr><td>33 U</td><td>1626</td><td>600</td><td>600</td></tr> <tr><td>33 U</td><td>1626</td><td>800</td><td>800</td></tr> <tr><td>42 U</td><td>2026</td><td>600</td><td>600</td></tr> <tr><td>42 U</td><td>2026</td><td>600</td><td>800</td></tr> <tr><td>42 U</td><td>2026</td><td>600</td><td>1000</td></tr> <tr><td>42 U</td><td>2026</td><td>800</td><td>600</td></tr> <tr><td>42 U</td><td>2026</td><td>800</td><td>800</td></tr> <tr><td>42 U</td><td>2026</td><td>800</td><td>1000</td></tr> <tr><td>47 U</td><td>2248</td><td>800</td><td>800</td></tr> <tr><td>47 U</td><td>2248</td><td>800</td><td>1000</td></tr> </tbody> </table> <p>Extension cabinets with single glass door No side panels Supplied with baying kit</p> <table border="1"> <thead> <tr> <th>Capacity</th> <th>Height (mm)</th> <th>Width (mm)</th> <th>Depth (mm)</th> </tr> </thead> <tbody> <tr><td>42 U</td><td>2026</td><td>800</td><td>800</td></tr> </tbody> </table> <p>Double front glass door</p> <table border="1"> <thead> <tr> <th>Capacity</th> <th>Height (mm)</th> <th>Width (mm)</th> <th>Depth (mm)</th> </tr> </thead> <tbody> <tr><td>42 U</td><td>2026</td><td>800</td><td>600</td></tr> <tr><td>42 U</td><td>2026</td><td>800</td><td>800</td></tr> <tr><td>42 U</td><td>2026</td><td>800</td><td>1000</td></tr> </tbody> </table>	Capacity	Height (mm)	Width (mm)	Depth (mm)	24 U	1226	600	600	24 U	1226	800	800	33 U	1626	600	600	33 U	1626	800	800	42 U	2026	600	600	42 U	2026	600	800	42 U	2026	600	1000	42 U	2026	800	600	42 U	2026	800	800	42 U	2026	800	1000	47 U	2248	800	800	47 U	2248	800	1000	Capacity	Height (mm)	Width (mm)	Depth (mm)	42 U	2026	800	800	Capacity	Height (mm)	Width (mm)	Depth (mm)	42 U	2026	800	600	42 U	2026	800	800	42 U	2026	800	1000
Capacity	Height (mm)	Width (mm)	Depth (mm)																																																																											
24 U	1226	600	600																																																																											
24 U	1226	800	800																																																																											
33 U	1626	600	600																																																																											
33 U	1626	800	800																																																																											
42 U	2026	600	600																																																																											
42 U	2026	600	800																																																																											
42 U	2026	600	1000																																																																											
42 U	2026	800	600																																																																											
42 U	2026	800	800																																																																											
42 U	2026	800	1000																																																																											
47 U	2248	800	800																																																																											
47 U	2248	800	1000																																																																											
Capacity	Height (mm)	Width (mm)	Depth (mm)																																																																											
42 U	2026	800	800																																																																											
Capacity	Height (mm)	Width (mm)	Depth (mm)																																																																											
42 U	2026	800	600																																																																											
42 U	2026	800	800																																																																											
42 U	2026	800	1000																																																																											
1	6 467 50 6 467 75	Ready-assembled Flatpack																																																																												
1	6 467 51 6 467 76																																																																													
1	6 467 55 6 467 80																																																																													
1	6 467 56 6 467 81																																																																													
1	6 467 60 6 467 85																																																																													
1	6 467 61 6 467 86																																																																													
1	6 467 62 6 467 87																																																																													
1	6 467 63 6 467 88																																																																													
1	6 467 64 6 467 89																																																																													
1	6 467 65 6 467 90																																																																													
1	6 467 73 6 467 98																																																																													
1	6 467 74 6 467 99																																																																													
1	6 467 70 6 467 95																																																																													
1	6 463 37	Linkeo baying kits For joining 2 Linkeo 19" cabinets																																																																												
1	6 463 40	Linkeo 19" uprights Set of 2 additional 19" uprights																																																																												
1	6 463 41	24 U																																																																												
1	6 463 42	33 U																																																																												
1	6 463 43	42 U																																																																												
1	6 463 43	47 U																																																																												

Pack	Cat.Nos	Linkeo plinths
1	6 464 00	600 x 600
1	6 464 01	600 x 800 or 800 x 600
1	6 464 02	600 x 1000
1	6 464 03	800 x 800
1	6 464 04	800 x 1000
1	0 464 82	Casters Set of 4 pivoting casters, 2 of which have brakes Total loading capacity on the 4 casters: 500 kg
1	6 464 30	Linkeo fan kits Integrated thermostat, adjustable from - 10 to 80°C 2.5 m cord with 2P+E plug, 230 V~ Anthracite grey RAL 7016
1	6 464 31	2 fans
1	6 464 31	4 fans
1	6 464 28	Linkeo cable management Brush cable entry To fit on top or bottom cabinet pre-cut cable entry Set of brush
1	6 464 20	Vertical cable guides Side or rear mounting on structure for cable bundles For 33 U cabinet
1	6 464 21	For 42 U cabinet
1	6 464 22	For 47 U cabinet
1	6 464 25	Cable management rings For cabinet width 800 mm. Fixes onto 19" uprights Usable dim.: 65 x 145 mm. Black RAL 9005 Set of 6 metal rings
1	6 464 26	Vertical cable managers Set of 2 vertical panels to manage cords at the front side and on the whole height of the cabinet Mounted on the side of 19" uprights Supplied with brush feedthroughs and fingers for cords management every single U
1	6 464 27	For 42 U 800 mm wide cabinets
1	6 464 27	For 47 U 800 mm wide cabinets
1	6 464 15	PDU support Vertical support for fixing to the rear side of the cabinet. For mounting vertically 19" and Zero-U PDU
1	6 464 16	For 42 U cabinets
1	6 464 16	For 47 U cabinets

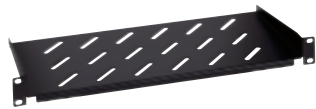


Linkeo 19" freestanding cabinets

cabinets and equipment (continued)



6 465 06

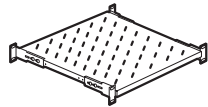
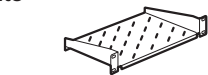


6 465 01

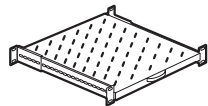


6 465 20

Pack	Cat.Nos	Linkeo fixed shelves
1	6 465 01	Black RAL 9005 Screw fixing on 2 x 19" uprights Height 2 U. Max. load: 15 kg Shelf depth 200 mm
1	6 465 02	
1	6 465 05	Screw fixing on 4 x 19" uprights Height 1 U Max. load: 50 kg Shelf depth 425 For depth 600 mm Shelf depth 625 For depth 800 mm Shelf depth 825 For depth 1000 mm
1	6 465 06	
1	6 465 07	
1	6 465 07	



1	6 465 08	Linkeo telescopic shelves Screw fixing on 4 x 19" uprights. Height 1 U Max. load: 30 kg. Black RAL 9005 Shelf depth 425 For depth 600 mm Shelf depth 625 For depth 800 mm Shelf depth 825 For depth 1000 mm
1	6 465 09	
1	6 465 10	
1	6 465 10	



1	6 465 20	19" management panels Fitted with cable guide rings
1	6 465 21	

Linkeo 19" freestanding cabinets

Flatpack solution

- Easy to carry
- Easy to store
- Easy to handle
- Easy to mount:
 - 16 minutes / 1 person
 - requires only one tool (10 wrench)
 - dedicated installation sheet

High protection packaging (stackable)

Nota:

- cabinets delivered flatpack are exactly the same as the mounted ones. The only difference is the packaging.



Customization

1 Choose the size

Capacity	24 U	33 U	42 U	47 U
Width	600 or 800 mm			
Depth	600, 800 or 1000 mm			

2 Choose the color

- Anthracite grey (RAL 7016) or light grey (RAL 7035)

3 Choose the openings



Front and rear options

Doors

- screen-printed glass
 - microperforated metal
 - solid metal
- in single or double version

Panels

- solid metal

With or without side panels

4 Choose the equipments to mount at the factory

- cable managers
- fans
- plinths/casters
- shelves
- copper and fiber patch panels

LINKEO 19"

Wall-mounting cabinets

A full range !
Choose your level of
accessibility inside
the cabinet





▶ Fix side panels

▶ Removable side panels



19" version

10" version for small business applications



19" version

Pivoting 19" version

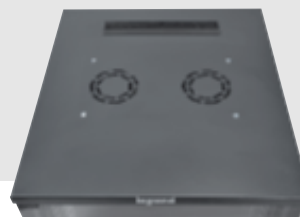
▶ Common features



- Reversible flat safety glass door with screen-printing and integrated lock



- Supplied with 2 x 19" uprights, adjustable in depth and with U marking
- Additional 19" uprights as option



- Rear, top and bottom pre-cut cable entries to be equipped with brush (provided with the cabinet)
- top perforations for natural ventilation (can be equipped with fan kit)



Linkeo 19" and 10" wall-mounting cabinets



6 462 62



6 462 21



6 462 30



0 335 92



0 462 23



6 468 01

IP 20 - IK 08

Equipped with :

- 1 reversible door made of screen-printed safety glass and with integrated lock
- 2 x 19" uprights with U marking and adjustable in depth
- 3 pre-cut cable entries (top, bottom and rear)
- 1 brush for a cable entry
- top perforations for natural ventilation
- supplied with earthing kit

Anthracite grey RAL 7016

Pack	Cat.Nos		Linkeo fix 19" cabinets			
			Fix side panels			
			Delivered ready-assembled			
	Depth 400 mm	Depth 600 mm	Capacity	Height (mm)	Width (mm)	Loading capacity (kg)
1	6 462 00	6 462 10	6 U	358	600	18
1	6 462 01	6 462 11	9 U	492	600	27
1	6 462 02	6 462 12	12 U	625	600	36
1	6 462 03	6 462 13	15 U	758	600	45
1	6 462 04	6 462 14	18 U	892	600	54
1	6 462 05	6 462 15	21 U	1035	600	63
			Removable side panels			
			For easy access at the side of the cabinet			
			Opening with a lock (same key as the door)			
			Delivered flatpack			
	Depth 450 mm	Depth 600 mm	Capacity	Height (mm)	Width (mm)	Loading capacity (kg)
1	6 462 50	6 462 60	6 U	358	550	18
1	6 462 51	6 462 61	9 U	471	550	27
1	6 462 52	6 462 62	12 U	604	550	36
1	6 462 53	6 462 63	15 U	738	550	45
1	6 462 54	6 462 64	18 U	871	550	54
1	6 462 55	6 462 65	21 U	1004	550	63

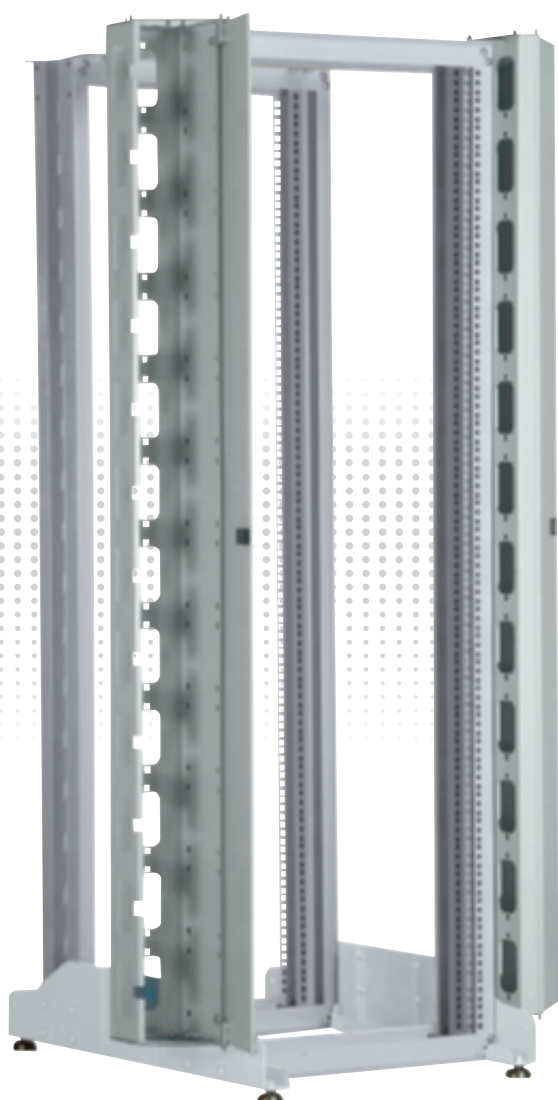
Pack	Cat.Nos		Linkeo pivoting 19" cabinets			
			Cabinet composed of :			
			- base (wall fixing), can accept 19" PDU			
			- pivoting body allowing free access to the rear of the cabinet to facilitate installation and maintenance. Reversible pivoting direction. Delivered ready-assembled			
	Depth 610 mm		Capacity	Height (mm)	Width (mm)	Loading capacity (kg)
1	6 462 21		9 U	471	550	27
1	6 462 22		12 U	604	550	36
1	6 462 23		15 U	738	550	45
1	6 462 24		18 U	871	550	54
1	6 462 25		21 U	1004	550	63

Pack	Cat.Nos		Equipments for 19" cabinets			
			Linkeo 19" uprights			
			Set of 2 additional 19" uprights			
			To install at the rear of the cabinet			
1	6 462 42		12 U			
1	6 462 43		15 U			
1	6 462 44		18 U			
1	6 462 45		21 U			
1	6 462 48		Casters			
			Set of 4 caster wheels for assembly on cabinets			
1	6 462 38		Linkeo fan kit			
			Kit contains:			
			- 2 fans			
			- 1 thermostat			
			- ON/OFF switch			
			Supplied with 2.3 m cable			
			Power supply 230 V~ - 50/60 Hz			

Pack	Cat.Nos		Equipments for 19" cabinets (continued)			
			Linkeo fixed shelves			
			Screw fixing on 2 x 19" uprights			
			Height 2 U			
			Max. load: 15 kg			
1	6 465 01		Shelf depth 200 mm			
			For cabinets depth 400, 450 and 600 mm			
1	6 465 02		Shelf depth 360 mm			
			For cabinets depth 450 and 600 mm			
			19" management panels			
1	6 465 20		1 U			
1	6 465 21		2 U			
			Linkeo 10" cabinet			
			Compact cabinet suitable for small business applications			
			Delivered ready-assembled			
	Depth 300 mm		Capacity	Height (mm)	Width (mm)	Loading capacity (kg)
1	6 462 30		6 U	358	370	18

Pack	Cat.Nos		Equipments for 10" cabinets			
1	0 335 92		Modular empty panel			
			10" panel - 1 U			
			For up to 2 LCS ² bloc units (copper or fiber)			
			Supplied with screws and cage nuts			
1	0 462 23		Fixed shelf 1 U			
			Depth 120 mm			
			Max. load: 10 kg			
			Black RAL 9005			
			Supplied with screws and cage nuts			
			10" Power Distribution Units (PDU)			
			230 V - 50/60 Hz power supply			
			1 U aluminium profile			
			End cap with metallic brackets and cable holder shape			
			Quick fixing (no screws) on 19" uprights			
			With shutters and inclined at 55°			
1	6 468 01		4 x 2P+E outlets Black German standard			
			1 m power supply cord with 16 A 2P+E French/German plug			
1	6 468 00		4 x 2P+E outlets Black French standard			
			1 m power supply cord with 16 A 2P+E French/German plug			
1	6 468 98		To be equipped with Mosaic wiring device modules			
			Capacity: 8 Mosaic modules			

19" BATI-RACK

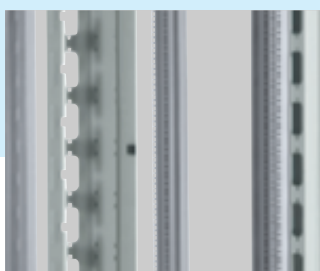


19" Bati-rack



Technical characteristics p. 15

Pack	Cat.Nos	19" Bati-rack
		For housing 19" equipment in an air conditioned, secure, dust-free environment Comprises 2 or 4 x 19" uprights With levelling feet The 4-upright bati-rack takes shelves for enclosures depth 800 mm Supplied ready for assembly RAL 7035
1	0 463 95	Capacity 42 U Height ⁽¹⁾ (mm) 1965 Width (mm) 550 Depth (mm) 640 Loading capacity (kg) 300 Number of uprights 2
1	0 463 96	Capacity 42 U Height ⁽¹⁾ (mm) 1965 Width (mm) 550 Depth (mm) 820 Loading capacity (kg) 300 Number of uprights 4
		Cable management sleeve Closed vertical feedthrough Reversible door For fixing on the right or left on the 19" uprights RAL 7035
1	0 463 97	Sleeve
		Roof Roof for 4-upright bati-rack 535 x 600 mm
1	0 464 98	
		Set of 4 casters For bati-rack Loading capacity on the 4 casters: 340 kg
1	0 464 99	
		Shelves Black RAL 9005 Screw fixing on 2 x 19" uprights Height 2 U Max. load: 15 kg Shelf depth 200 mm Shelf depth 360 mm
1	6 465 01	
1	6 465 02	
		Screw fixing on 4 x 19" uprights Height 1 U Fixed shelf depth 625 mm. Max load: 50 kg Telescopic shelf depth 625 mm. Max load: 30 kg
1	6 465 06	
1	6 465 09	
		19" management panels Fitted with cable guide rings
1	6 465 20	1 U
1	6 465 21	2 U



► Full access to the wiring



► Takes cable management sleeves for a perfect finish



1: Without adjustment levelling feet (+ 27 to 42 mm with feet)

Linkeo 19" freestanding cabinets

General characteristics

Metallic extendable freestanding cabinets
 RAL 7016 textured polyester coating providing excellent resistance to corrosion and scratching
 Reversible front glass door with screen-printing
 Protection index (weatherproof) against solid objects and liquids: IP 20
 Protection index against mechanical impacts: IK 08
 Perforations in 19" uprights: 9.5 x 9.5 mm
 Permissible load: 400 kg

Compliance with standards

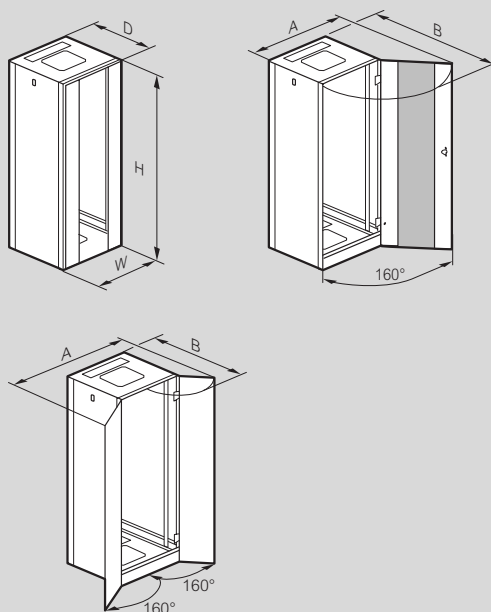
Linkeo cabinets comply with the following standards:

IEC 60529 EN 60529	(NF C 20-010) Degrees of protection provided by enclosures (IP code)
IEC 62262 EN 62262	(NF EN 50102, NF C 20-015) Degrees of protection provided by enclosures for electrical equipment against external mechanical impacts (IK code)
IEC 60950-1 EN 60950-1 C 77-210-1	Safety of data processing equipment
EIA-310-E	Cabinets, racks, panels and associated equipment (ANSI/EIA/310-E-2005)
IEC 60297-3-100 DIN 41414-7	(NF C 20-150, NF C 20-151) Dimensions of mechanical structures of the 482.6 mm (19 in) series

Linkeo cabinets can be integrated in installations complying with the following standards:

EN 50173-1	Information technology - Generic cabling systems
EN 50174-1 & 2 C 90-480-1 & 2	Information technology - Cabling installation
ISO IEC 11801	Information technology - Generic cabling for customer premises
NF C 15-100 Part 4-41	Low voltage electrical installations - recommendations
IEC 60364-4-41	Low voltage electrical installations - Protection for safety - Protection against electric shock

Dimensions (mm)



Cabinets with single front door

Cabinet dimensions	Overall dimensions					
	H ⁽¹⁾	W	D	A	B	
24 U 600 x 600	1226	610	630	1138	1210	
24 U 800 x 800		810	830	1525	1610	
33 U 600 x 600	1626	610	630	1138	1210	
33 U 800 x 800		810	830	1525	1610	
42 U 600 x 600	2026	610	630	1138	1210	
42 U 600 x 800		610	830	1138	1410	
42 U 600 x 1000		610	1030	1138	1610	
42 U 800 x 600		810	630	1525	1410	
42 U 800 x 800		810	830	1525	1610	
42 U 800 x 1000		810	1030	1525	1810	
47 U 800 x 800		2248	810	830	1525	1610
47 U 800 x 1000			810	1030	1525	1810

1: Without adjustment levelling feet (+19 to 39 mm with feet)

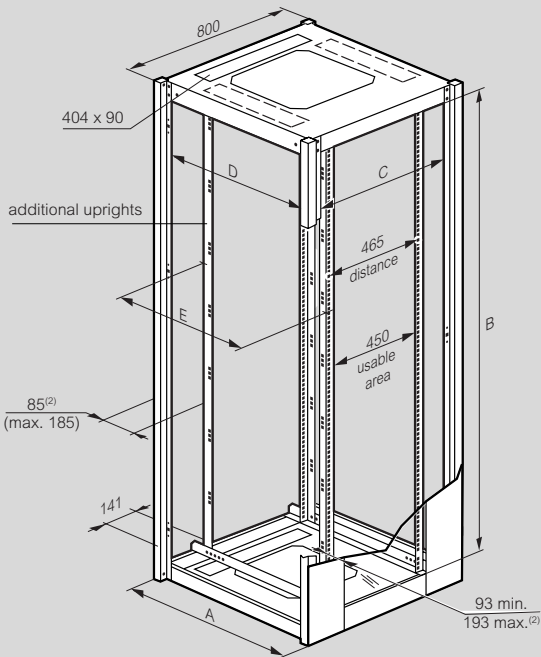
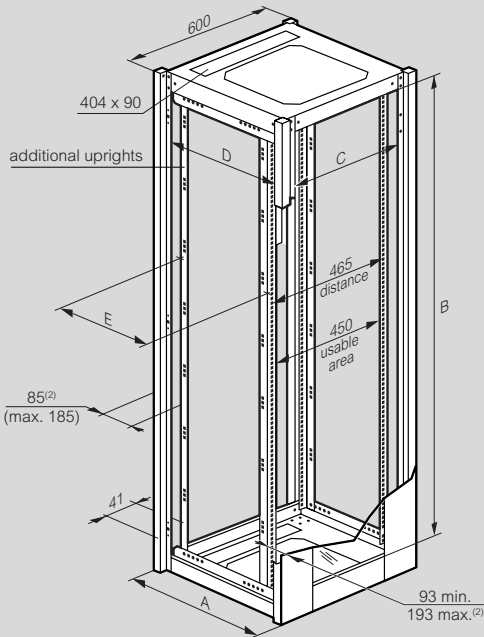
Cabinets with double front door

Cabinet dimensions	H ⁽¹⁾	W	D	A	B
42 U 800 x 600	2026	810	630	1164	1011
42 U 800 x 800			830		1211
42 U 800 x 1000			1030		1411

1: Without adjustment levelling feet (+19 to 39 mm with feet)

Linkeo 19" freestanding cabinets (continued)

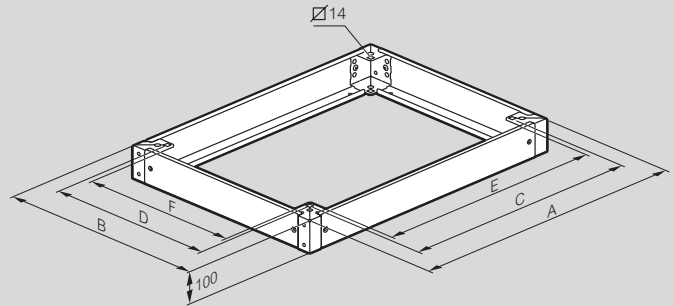
Usable dimensions (mm)



Cabinet dimensions	A ⁽¹⁾	Usable area			E	Glass window Door
		B	C	D		
24 U 600 x 600	630	1081	490	490	425	1073 x 360
24 U 800 x 800	830		690	690	625	1073 x 450
33 U 600 x 600	630	1481	490	490	425	1473 x 360
33 U 800 x 800	830		690	690	625	1473 x 450
42 U 600 x 600	630	1881	490	490	425	1873 x 360
42 U 600 x 800	830			690	625	
42 U 600 x 1000	1030		890	825		
42 U 800 x 600	630		690	490	425	1873 x 450
42 U 800 x 800	830			690	625	
42 U 800 x 1000	1030			890	825	
47 U 800 x 800	830	2103	690	690	625	2095 x 450
47 U 800 x 1000	1030		690	890	825	2095 x 450

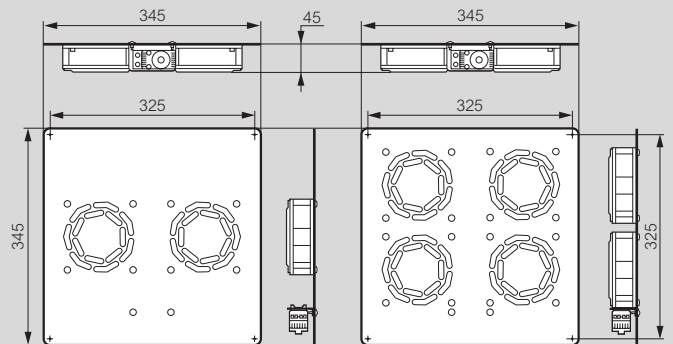
1: Overall dimensions
2: Can be adjusted in 25 mm steps

Plinths for Linkeo cabinets (mm)



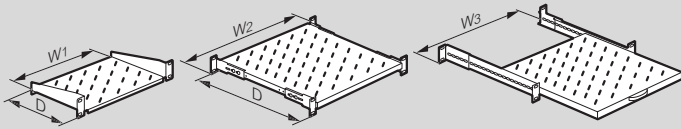
Cabinet dimensions Width x Depth	Overall		Fixing		Usable area	
	A	B	C	D	E	F
600 x 600	599	599	478	478	449	449
600 x 800	599	799	478	678	449	649
600 x 1000	799	599	678	478	649	449
800 x 600	799	799	678	678	649	649
800 x 800	599	999	478	878	449	849
800 x 1000	799	999	678	878	649	849

Linkeo fan kits (mm)



Linkeo 19" freestanding cabinets (continued)

Linkeo shelves (mm)

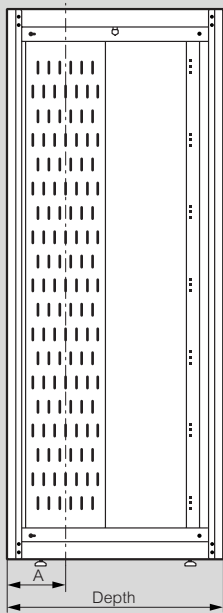


Cat.Nos	D	Usable width		
		W1	W2	W3
6 465 01	200	435		
6 465 02	360	435		
6 465 05	425		440	
6 465 06	625		440	
6 465 07	825		440	
6 465 08	425			410
6 465 09	625			410
6 465 10	825			410

Linkeo vertical cable guides

33 U guide: 1486 x 300 x 25 mm
 42 U guide: 1886 x 300 x 25 mm
 47 U guide: 2105 x 300 x 25 mm

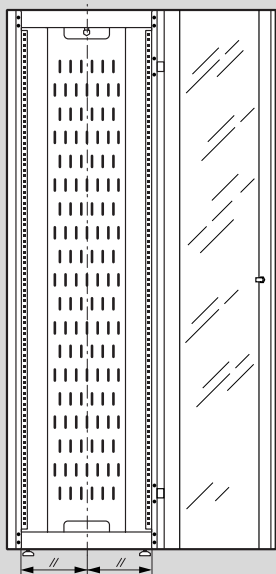
Side mounting



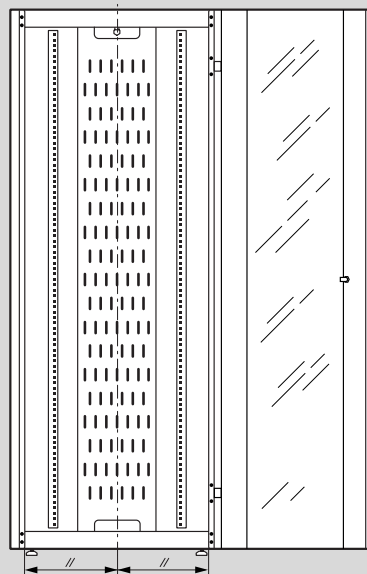
Cabinet depth	A
600	249
800	216
1000	216

Front

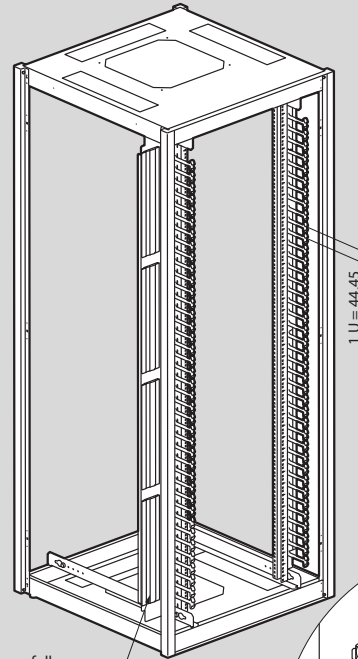
Rear mounting in 600 mm width



Rear mounting in 800 mm width

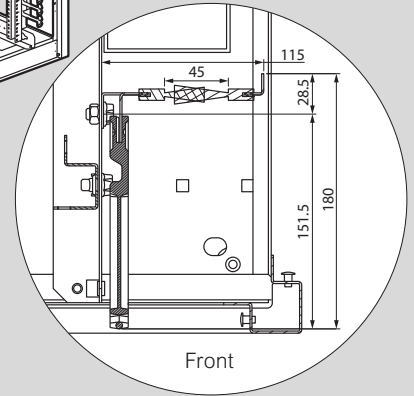


Vertical cable managers 6 464 26/27



usefull accesses
404x45

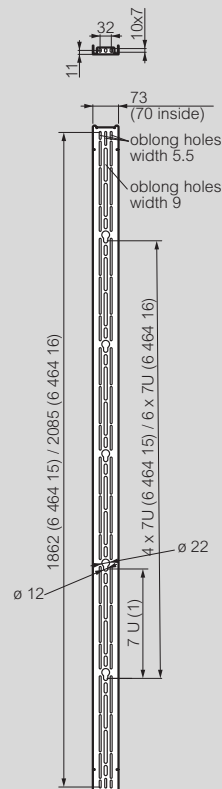
Top view



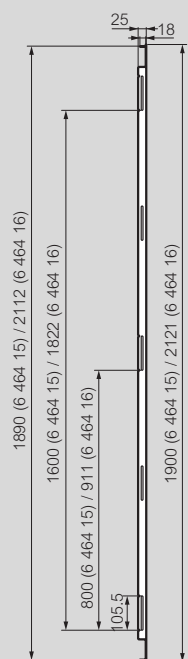
Front

PDU supports (mm) 6 464 15/16

Front view



Side view



Linkeo 19" wall-mounting cabinets

General characteristics

Metal wall-mounting cabinets
RAL 7016 textured polyester coating providing excellent resistance to corrosion and scratching
Safety glass door
Protection index (weatherproof) against solid objects and liquids: IP 20
Protection index against mechanical shocks: IK 08
Perforations in 19" uprights: 9.5 x 9.5 mm
Permissible load: 3 kg/U

Compliance with standards

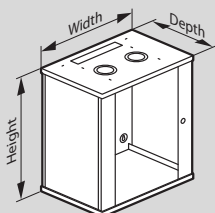
Linkeo cabinets comply with the following standards:

IEC 60529 EN 60529	(NF C 20-010) Degrees of protection provided by enclosures (IP code)
IEC 62262 EN 62262	(EN 50102, NF C 20-015) Degrees of protection provided by enclosures for electrical equipment against external mechanical impacts (IK code)
IEC 60950-1 EN 60950-1 C 77-210-1	Safety of data processing equipment
EIA-310-E	Cabinets, racks, panels and associated equipment (ANSI/EIA-310-D-2005)
IEC 60297-3-100 DIN 41414-7	(NF C 20-150, NF C 20-151) Dimensions of mechanical structures of the 482.6 mm (19 in) series

Linkeo cabinets can be integrated in installations complying with the following standards:

EN 50173-1	Information technology - Generic cabling systems
EN 50174-1 & 2 C 90-480-1 & 2	Information technology - Cabling installation
ISO IEC 11801	Information technology - Generic cabling for customer premises
NF C 15-100 Part 4-41	Low voltage electrical installations - Recommendations
UTE C90-483	Residential cabling for communication networks
IEC 60364-4-41	Low voltage electrical installations - Protection for safety - Protection against electric shock

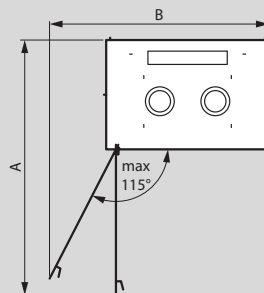
Dimensions (mm)



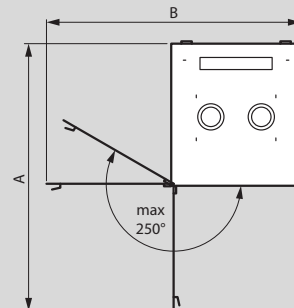
	Cat.Nos	Capacity	Height	Width	Depth		
19" fix cabinet	fix side panels	6 462 00	6 U	358	600	400	
		6 462 01	9 U	492	600	400	
		6 462 02	12 U	625	600	400	
		6 462 03	15 U	758	600	400	
		6 462 04	18 U	892	600	400	
		6 462 05	21 U	1035	600	400	
		6 462 10	6 U	358	600	600	
		6 462 11	9 U	492	600	600	
		6 462 12	12 U	625	600	600	
		6 462 13	15 U	758	600	600	
		6 462 14	18 U	892	600	600	
		6 462 15	21 U	1035	600	600	
		removable side panels	6 462 50	6 U	338	550	450
			6 462 51	9 U	471	550	450
			6 462 52	12 U	604	550	450
	6 462 53		15 U	738	550	450	
	6 462 54		18 U	871	550	450	
	6 462 55		21 U	1004	550	450	
	6 462 60		6 U	338	550	600	
	6 462 61		9 U	471	550	600	
	6 462 62		12 U	604	550	600	
	6 462 63		15 U	738	550	600	
	19" pivoting cabinets	6 462 21	9 U	471	550	610	
		6 462 22	12 U	604	550	610	
		6 462 23	15 U	738	550	610	
6 462 24		18 U	871	550	610		
6 462 25		21 U	1004	550	610		
10" fix cabinet	6 462 30	6 U	358	370	300		

Door opening (mm)

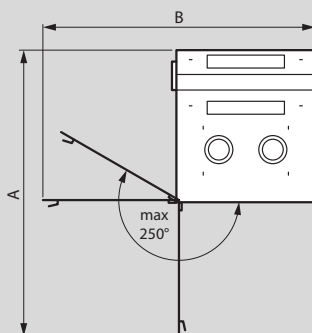
19" fix cabinets with fix side panels Cat.Nos 6 462 00/.../15



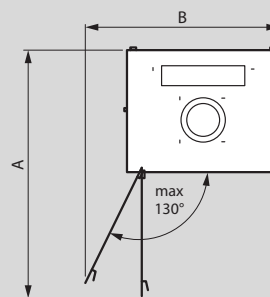
19" fix cabinets with removable side panels Cat.Nos 6 462 50/.../65



19" pivoting cabinets Cat.Nos 6 462 21/.../25



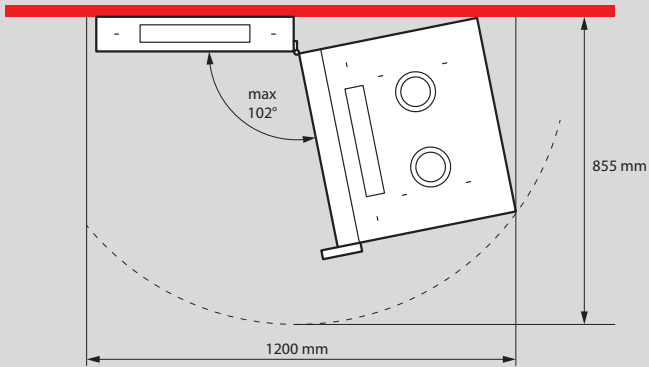
10" cabinet Cat.No 6 462 30



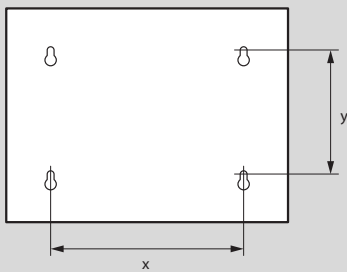
	Cat.Nos	Capacity	A	B		
19" fix cabinet	fix side panels	6 462 00	6 U	930	795	
		6 462 01	9 U	930	795	
		6 462 02	12 U	930	795	
		6 462 03	15 U	930	795	
		6 462 04	18 U	930	795	
		6 462 05	21 U	930	795	
		6 462 10	6 U	1130	795	
		6 462 11	9 U	1130	795	
		6 462 12	12 U	1130	795	
		6 462 13	15 U	1130	795	
		6 462 14	18 U	1130	795	
		6 462 15	21 U	1130	795	
		removable side panels	6 462 50	6 U	985	1080
			6 462 51	9 U	985	1080
			6 462 52	12 U	985	1080
	6 462 53		15 U	985	1080	
	6 462 54		18 U	985	1080	
	6 462 55		21 U	985	1080	
	6 462 60		6 U	1135	1080	
	6 462 61		9 U	1135	1080	
	6 462 62		12 U	1135	1080	
	6 462 63		15 U	1135	1080	
	19" pivoting cabinets	6 462 21	9 U	1140	1080	
		6 462 22	12 U	1140	1080	
		6 462 23	15 U	1140	1080	
6 462 24		18 U	1140	1080		
6 462 25		21 U	1140	1080		
10" fix cabinet	6 462 30	6 U	600	575		

Linkeo 19" wall-mounting cabinets

Pivoting base opening

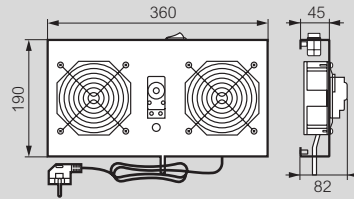


Fixing (mm)



	Cat.Nos	Capacity	X	Y	
19" fix cabinet	fix side panels	6 462 00	6 U	400	197
		6 462 01	9 U	400	300
		6 462 02	12 U	400	464
		6 462 03	15 U	400	597
		6 462 04	18 U	400	730
		6 462 05	21 U	400	864
		6 462 10	6 U	400	197
		6 462 11	9 U	400	330
		6 462 12	12 U	400	464
		6 462 13	15 U	400	597
	6 462 14	18 U	400	730	
	removable side panels	6 462 15	21 U	400	864
		6 462 50	6 U	411	149
		6 462 51	9 U	411	282
		6 462 52	12 U	411	415
6 462 53		15 U	411	549	
6 462 54		18 U	411	682	
6 462 55		21 U	411	815	
19" pivoting cabinets	6 462 60	6 U	411	149	
	6 462 61	9 U	411	282	
	6 462 62	12 U	411	415	
	6 462 63	15 U	411	549	
	6 462 64	18 U	411	682	
	6 462 65	21 U	411	815	
10" fix cabinet	6 462 21	9 U	350	368	
	6 462 22	12 U	350	501	
	6 462 23	15 U	350	635	
	6 462 24	18 U	350	768	
	6 462 25	21 U	350	901	
10" fix cabinet	6 462 30	6 U	171	197	

Fan kit (mm)



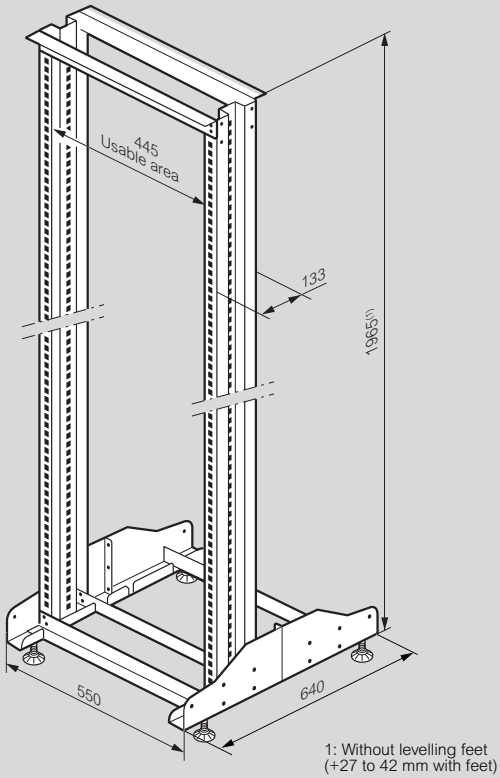
Bati-rack

Bati-rack general characteristics

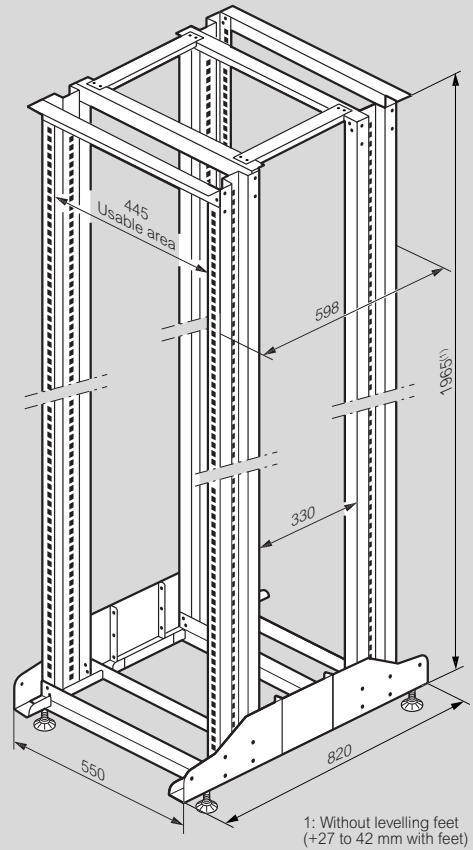
Metal bati-rack
 RAL 7035 textured polyester coating providing excellent resistance to corrosion and scratching
 Perforations in 19" uprights: 9.5 x 9.5 mm
 Permissible load: 300 kg

Dimensions (mm)

2-upright bati-rack Cat.No 0 463 95








4-upright bati-rack Cat.No 0 463 96





FOLLOW US ALSO ON

- @ legrand.com
-  youtube.com/user/legrand
-  facebook.com/Legrand
-  twitter.com/Legrand
-  pinterest.com/legrandgroup
-  instagram.com/legrandnews



Headquarters

128, avenue de Lattre de Tassigny
87045 Limoges Cedex
France
Tel.: + 33 (0) 5 55 06 87 87
Fax: + 33 (0) 5 55 06 88 88